

COLUMNS:
COLOUR

CANVAS:
COLOUR

WINDOWS ROW:
No

1 WINDOW / LINEAL METER
1 ROW / 600mm
(min starting 800mm)

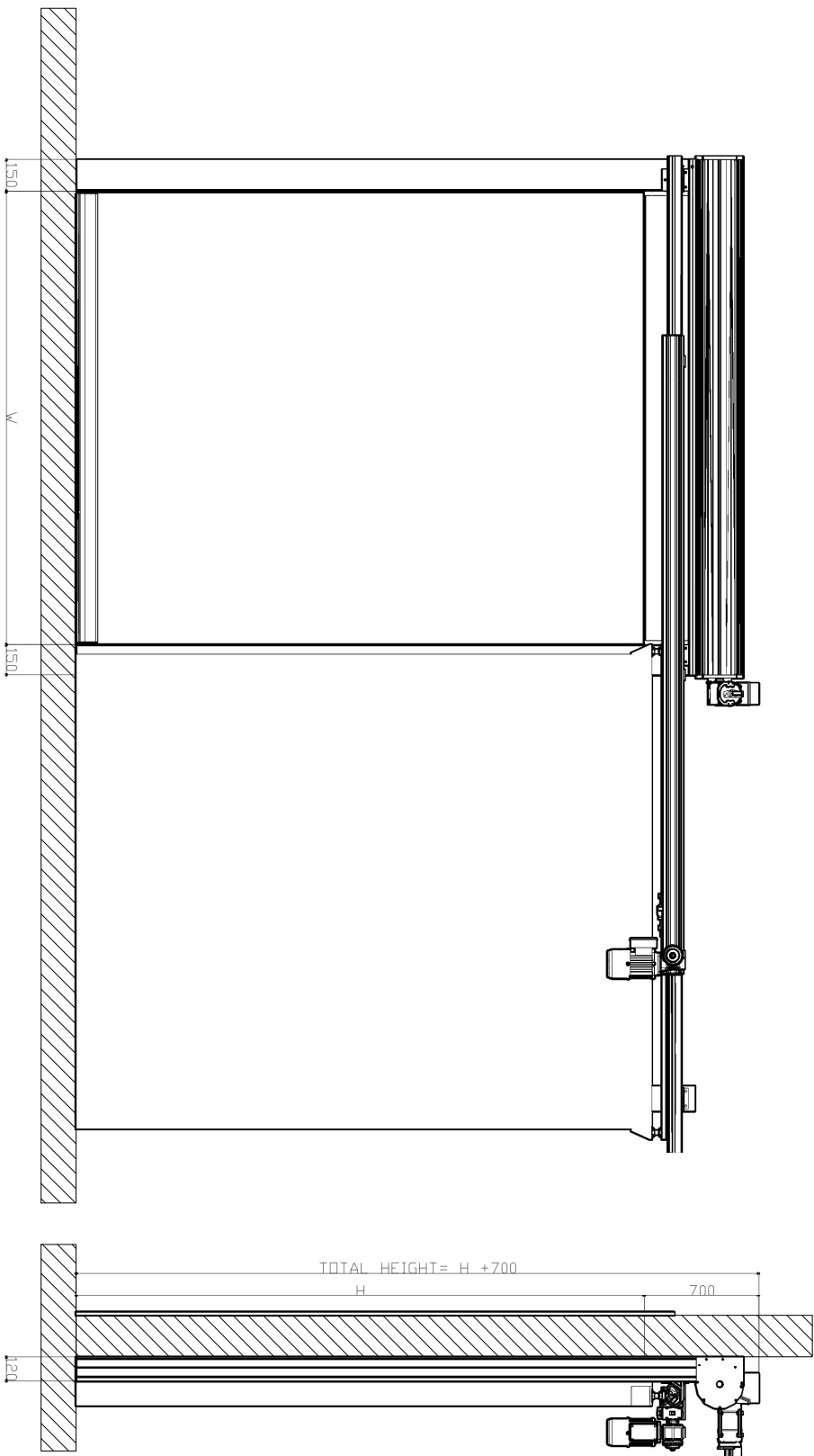
MOTOR SIDE:
RIGHT
LEFT

DIMENSIONS:
LIGHT WIDTH
LIGHT HEIGHT
TOTAL WIDTH
TOTAL HEIGHT

SLIDINGDOOR:
OPENING RIGHT
OPENING LEFT

ACTIVATION SYS.:

OTHERS:



O.T

MODEL: BIPORT T- _____ TO FILL OUT BY CONTROLISA

COSTUMER: _____

ORDER DATE: / /

APPROX. DELIVERY DATE: / /

THE DOCUMENTATION MUST BE RETURNED MAXIMUM 3 DAYS AFTER THE OFFICIAL ORDER, IF NOT, CONTROLISA WILL UNDERSTAND THAT YOU ARE AGREE WITH THE CONFIGURATION AND WILL MAKE THE DOORS ON THAT WAY

COSTUMER REF.: _____ TO FILL OUT BY COSTUMER

DELIVERY APPLICATION DATE: / /

OBSERVATIONS: _____

UNITS: _____

SIGNATURE AND STAMP